

CO-9D Datasheet for Retail

Digital Carbon Monoxide Alarm

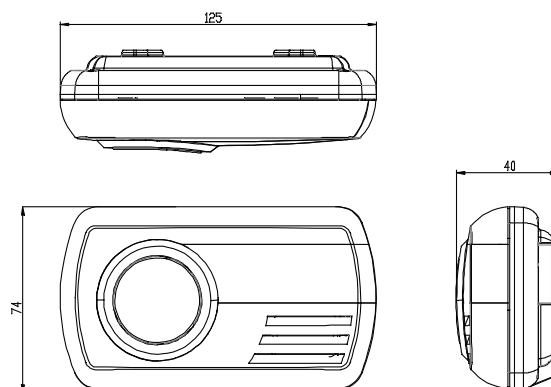
A.K.A. 7 Year Life Digital CO Poisonous Gas Alarm

GN0956/R1




Product Image



Product Dimensions (mm)



Model Number	CO-9D
Retail Description	Digital Carbon Monoxide Alarm
Unique ID code	109110005
Retail EAN Number	0816317001094
Retail Packaging Format	Clear recyclable PET box with cardboard inner wrap
Retail Packaging Dimensions WxHxD	135mm x 133mm x 37mm
Retail Packaging Weight	180g
Retail SRP Quantity	5
Warranty	7 years
Technology	Sensor: Electrochemical cell technology
Operation AC/DC	DC
Battery Type	7 year sealed for product life
Product Weight	120g
Alert Type	Loud 85dB Alarm at 1 metre + red flashing LED
Operating Temperature	-10°C to 40°C
Operating Humidity	30% to 90% RH non-condensing
Installation Positions	Wall / Ceiling / Shelf

Approvals	Independently tested to conform to BS EN 50291:2001
Additional Testing	N/A
Health & Safety Information	
Storage Temperature	-20°C to 60°C
Storage Humidity	30% to 90% RH non-condensing
  	

FireAngel®

FireAngel Ltd.
Vanguard Centre
Sir William Lyons Road
Coventry CV4 7EZ UK

Tel +44 (0)2476 323232
Fax +44 (0)2476 693610
Web www.fireangel.co.uk